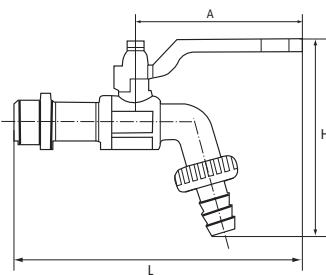


Mit Schlauchtülle.

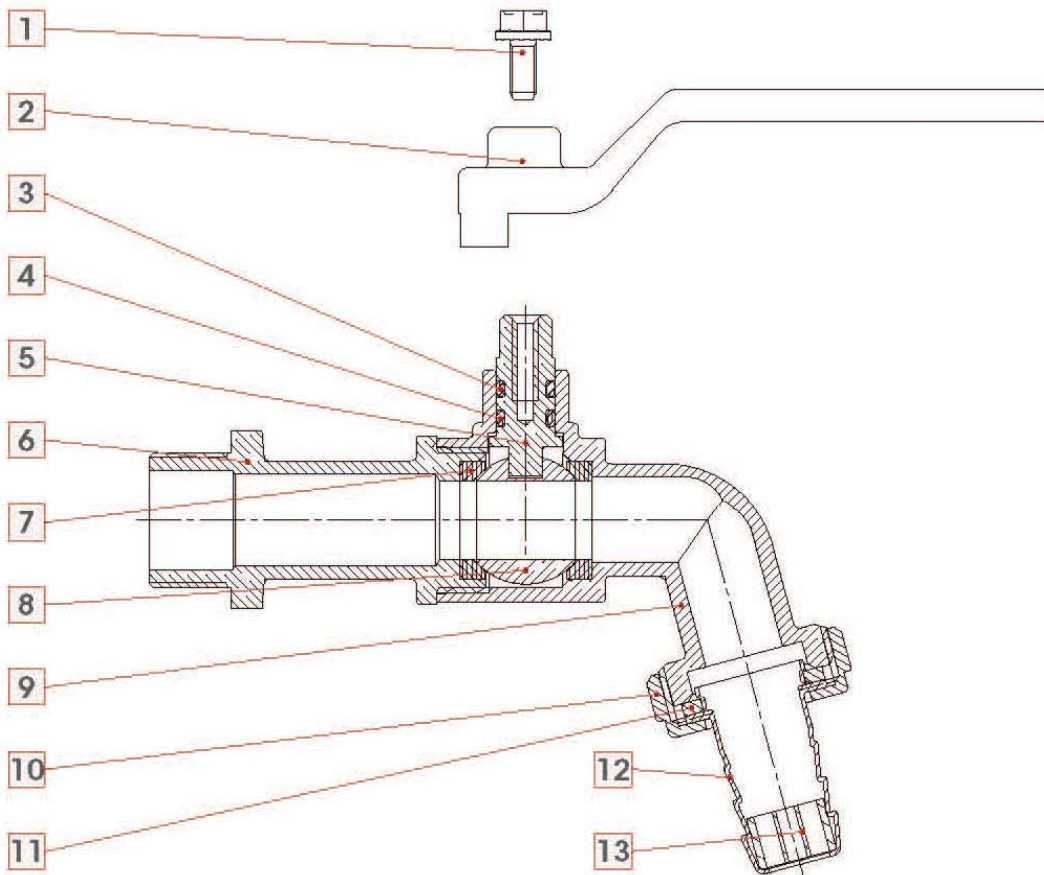
Material	Messing vernickelt
Betriebstemperatur	-20 °C bis 80 °C
Dichtmaterial	NBR
Anwendungsbereich	Wasser, gasförmige und nicht aggressive Medien, Druckluft
Gewindematerial	Messing vernickelt
Gewindenorm	G-Gewinde nach ISO 228-1



KAH.12

**Kugelauslaufhahn Messing vernickelt**

Artikel Nr.	Typen Nr.	Anschluss	Tüllenanschluss- gewinde	DN	PN bar	L mm	H mm	A mm
103416	KAH.38	G 3/8 AG	G 3/4	10	15	135,0	93,0	80,0
103417	KAH.12	G 1/2 AG	G 3/4	15	15	137,0	93,0	80,0
103418	KAH.34	G 3/4 AG	G 1	20	15	148,5	109,0	88,5
103419	KAH.10	G 1 AG	G 1 1/4	25	12	158,0	126,0	88,5



Pos.	DESCRIZIONE / DESCRIPTION	Qt.	MATERIALE / MATERIAL
1	Vite / Screw	1	Acciaio zincato / Zinc-plated steel Fe CB4
2	Maniglia a leva / Lever handle	1	Acciaio zincato e verniciato / Zinc-plated and varnished steel Fe.P04
3	Guarnizione / O-Ring	1	VITON®
4	Guarnizione / O-Ring	1	NBR
5	Asta di manovra / Stem	1	Ottone / Brass CW614N
6	Manicotto / End adapter	1	Ottone nichelato / Nickel-plated brass CW617N
7	Sede / Seat	2	P.T.F.E.
8	Sfera / Ball	1	Ottone cromato / Chrome-plated brass CW614N
9	Corpo / Body	1	Ottone nichelato / Nickel-plated brass CW617N
10	Girello / Nut	1	Ottone nichelato / Nickel-plated brass CW617N
11	Guarnizione / Washer	1	PVC
12	Codolo / Hose connection	1	Ottone nichelato / Nickel-plated brass CW617N
13	Rompigetto / Hose end	1	Vestolen