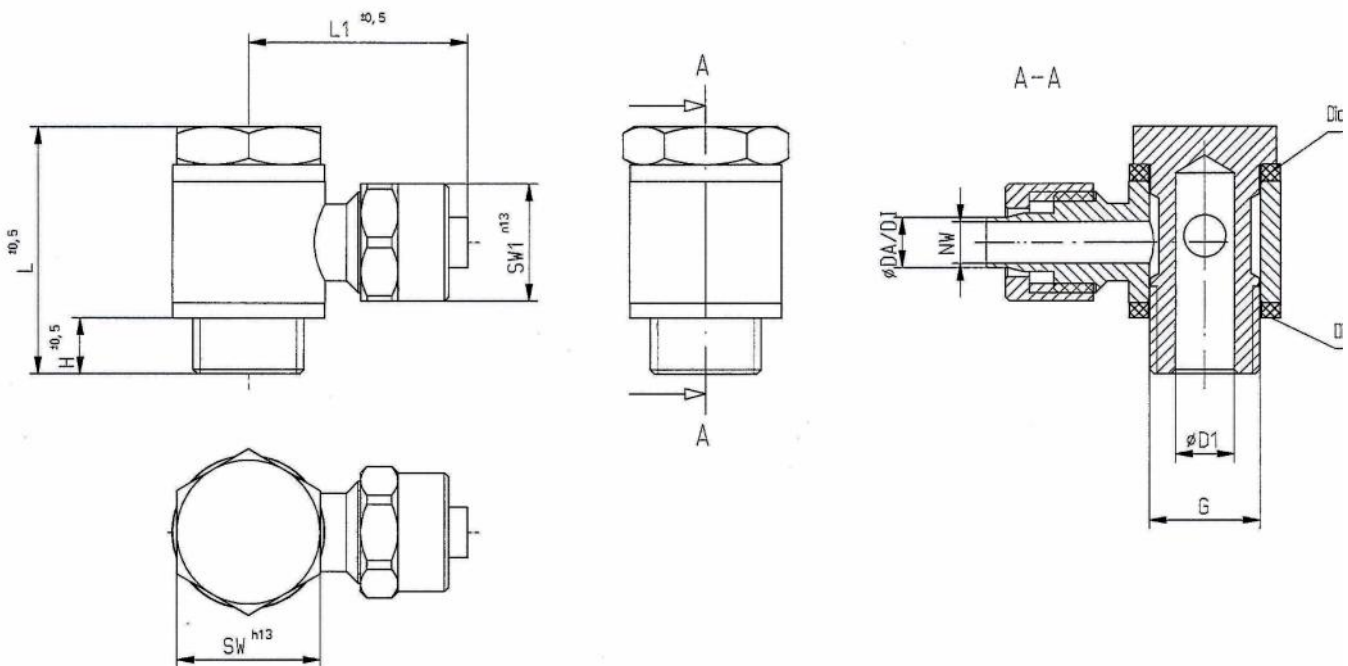


Material:
 max. Betriebsdruck:
 verwendbare Schläuche:

Messing vernickelt
 18,0 bar
 PA, PE, PU



13.614-8-E



Winkelschwenkverschraubung, Außengewinde zylindrisch

Artikel Nr.	Ident Nr.	NW	ØDA/DI	G	SW	SW1	H	L	L1	ØD1	Gewicht
13.605-5-E	115225	2	5/3	M5	8	8	3,0	17,5	17,0	2,0	10,0 g
13.605-6-E	115226	3	6/4	M5	8	9	3,0	17,5	18,0	2,0	11,0 g
13.618-6-E	115230	3	6/4	1/8	14	12	6,0	28,0	24,0	5,0	33,0 g
13.618-8-E	115231	5	8/6	1/8	14	14	6,0	28,0	24,0	5,0	35,0 g
13.614-6-E	115228	3	6/4	1/4	17	12	6,5	29,5	26,0	7,0	49,0 g
13.614-8-E	115229	5	8/6	1/4	17	14	6,5	29,5	26,0	7,0	51,0 g
13.614-10-E	115227	7	10/8	1/4	17	16	9,0	33,0	27,5	7,0	71,0 g
13.638-8-E	115233	5	8/6	3/8	22	14	6,5	31,5	27,5	9,0	54,0 g
13.638-10-E	115232	7	10/8	3/8	22	16	6,5	31,5	28,5	9,0	75,0 g