

MPG-60 Series

For your safety, please read the following before using.

- ① Do not use corrosive or flammable gas or liquid with this product.
- ② Please use within the rated pressure range. Do not apply pressure beyond recommended maximum withstand pressure, permanent damage to the pressure gage may occur.
- ③ Do not drop, hit or allow excessive shock. Even if pressure gage body appears undamaged, internal components may be broken and can cause malfunction.
- ④ Do not use in environment containing steam or oil vapor.
- ⑤ This product is not explosion-proof rated. Do not use in atmosphere containing flammable or explosive gases.
- ⑥ Using filter can extend pressure gage's service life.

A. SPECIFICATIONS

TYPE	MPG-60P-□	MPG-60PL-□
Rated pressure range	0.000 ~ 1.000MPa	
Display pressure range	0.000 ~ 1.000MPa	
Withstand pressure	1.5MPa	
Applicable fluid	Filtered air, incombustible and non-corrosive gases	
Pressure resolution	MPa	0.001
	kgf/cm ²	0.01
	bar	0.01
	psi	0.1
Battery	CR 2032 lithium	
Back light	No	Yes
Battery life	3 years (5 times/day)	1 year (5 times/day)
Low-power indicator	Yes	
Battery replaceable	Yes	
Turn-on interval	Display turn off after 30 sec.	
Sampling rate	2 Hz (2 times/sec.)	
Pressure unit	psi, bar, kgf/cm ² and MPa user selectable	
Repeatability	±0.2% F.S. ±1 digit	
LCD display	3 ½ digit, 7 segment	
Indicator accuracy	±2% F.S. ±1 digit (ambient temperature: 25 ±3 °C)	
Enclosure	IP65*	
Ambient temp. range	Operation: 0 ~ 50 °C, storage: -10 ~ 60 °C (No condensation or freezing)	
Ambient humidity range	Operation/Storage: 35 ~ 85% RH (No condensation)	
Vibration	Total amplitude 1.5mm or 10G, 10Hz-55Hz-10Hz scan for 1 minute, two hours each direction of X, Y and Z	
Shock	100m/s ² (10G), 3 times each in direction of X, Y and Z	
Temperature characteristic	±2% F.S. of detected pressure (25°C) at temp. range of 0~50°C	
Port size	F1:R1/8", M5; F2:NPT1/8", #10-32 UNF; F3:G1/8"(BSPP), M5 F4:R1/4", M5; F5:NPT1/4", #10-32 UNF; F6:G1/4"(BSPP), M5	
Weight	Approx. 40g	

* Air tube must be installed to maintain IP65. (See section K)

B. ORDERING INFORMATION

MPG-60P - **F2**

Back Light

Blank : Back light unavailable
L : Back light available

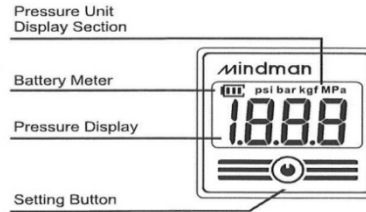
Optional Parts

MP-A5 : Mounting bracket (BT-5)
MP-A6 : Mounting bracket (BT-6)
MP-B2 : Panel adapter (PA-C)
MP-C2 : Panel adapter + Front protective lid (PA-D)

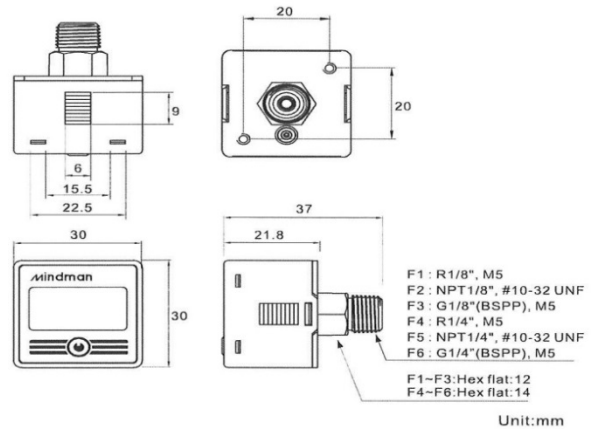
Pressure Port

F1 : R1/8", M5
F2 : NPT1/8", #10-32 UNF
F3 : G1/8"(BSPP), M5
F4 : R1/4", M5
F5 : NPT1/4", #10-32 UNF
F6 : G1/4"(BSPP), M5

C. PANEL DESCRIPTION



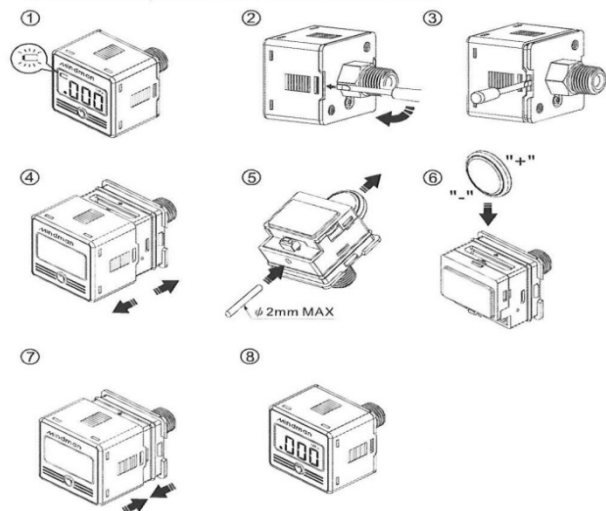
D. DIMENSIONS



E. BATTERY STATUS / INSTALLATION

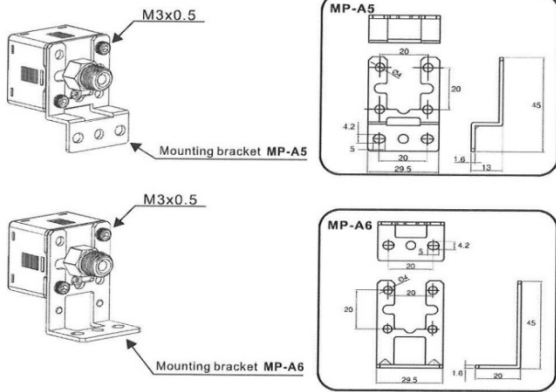
FOLLOW THE STEPS BELOW

- Using a flat screwdriver size 1.4 ~ 3.0 mm insert into the back of the pressure gage as pictured. (See figure ①)
- Turn the screwdriver horizontally 90° to separate the case and the base. Repeat this process again for the other side. (See figure ②)
- Carefully remove the outer cover (See figure ③), and follow the diagrams below to replace battery and reassembly. Polarity must be observed, incorrect battery installation will cause malfunction.

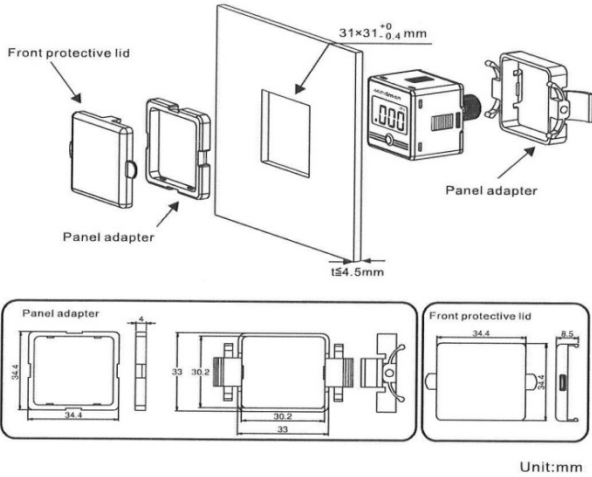


F. OPTIONAL PARTS DIMENSIONS

① Mounting bracket



② Panel mount



G. PRESSURE UNIT CONVERSION TABLE

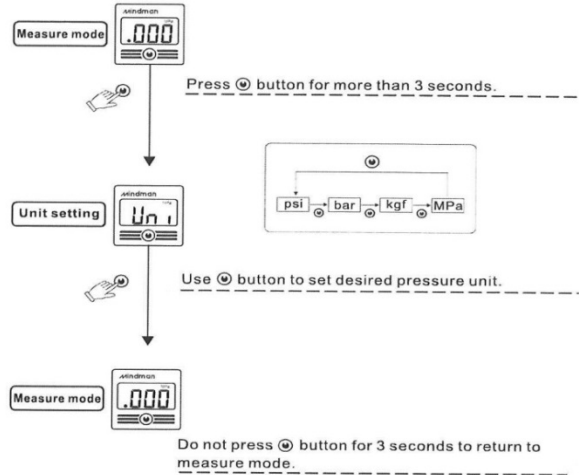
From	To	MPa	kgf/cm ²	psi	bar
1 MPa	1	10.197	145.038	10	
1 kgf/cm ²	0.0980665	1	14.2233	0.980665	
1 psi	0.006895	0.07031	1	0.06895	
1 bar	0.100000	1.01972	14.5038	1	

H. POWER-SAVE MODE

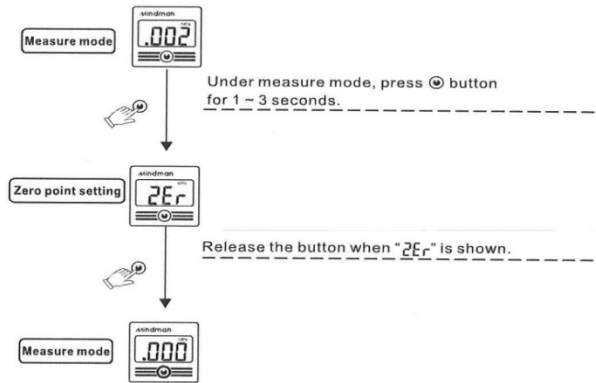
⊖ The pressure gage will enter power saving mode if the ⊖ button is not pressed within 30 sec.



I. PRESSURE UNIT SETTING MODE

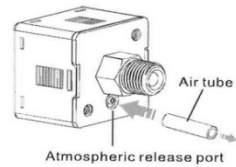


J. ZERO POINT RESET



K. DUST AND SPLASH ENVIRONMENT

- To maintain IP65, please insert an air tube (O.D.: 4mm) into atmospheric release port and pipe the other end away from dust / splattering liquid environment.
- Use proper air tube dimension of O.D.: 4mm, I.D.: 2.5mm, and the length is depending on the user's environment.



L. ERROR CODE INSTRUCTION

Error Type	Error code	Error Condition	Troubleshooting
Residual pressure error	Er3	During zero reset, ambient pressure is over ±3% F.S.	Change input pressure to ambient pressure and perform zero reset again.
Applied pressure error	HHH	Supply pressure is exceeds the upper limit of pressure setting.	Adjust the pressure within operating pressure range.
Battery error	bAt	When battery level is under 2.40V, the battery symbol and bAt will flash 4 times then enter power save mode.	Replace battery.

Gilt für folgende Artikel:

Digital-Manometer

Artikel Nr.

Typen Nr.

133382 bis 133383

DIM-10-F4 bis DIMH-10-F4