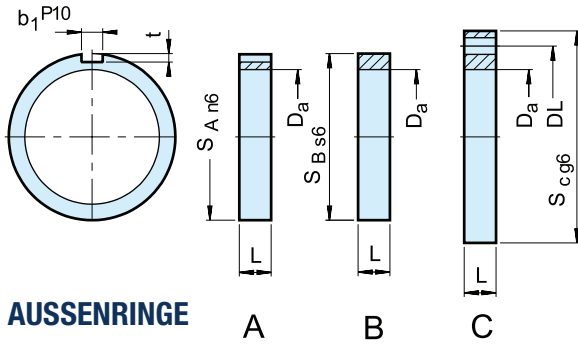


DC-RINGE

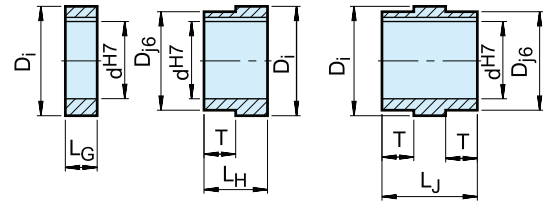


AUSSENRINGE

A

B

C



INNENRINGE

G

H

J

1) Passfedernut nach DIN 6885.1

Größe														Lochanzahl x Ø	Passende DC Bauart			
	d ^{H7} [mm]	L _g [mm]	L _h [mm]	L _j [mm]	D _{j6} [mm]	T [mm]	D ₁ +0,008 -0,005 [mm]	L [mm]	S _{An6} [mm]	b ₁ ^{P10}	t	S _{Bs6}	S _{cg6} [mm]			DL ^{±0,1} [mm]	D _a ±0,013 [mm]	
DC 230A								16	72	6	3,5						54,752	DC 3809A
DC 230B								16				72					54,752	
DC 230C								16					95	78	8 x 7		54,752	
DC 230 G-10	10	16					38,092											
DC 230 G-15	15	16					38,092											
DC 230 G-20	20	16					38,092											
DC 230 H-10	10		33		35	17	38,092											
DC 230 H-15	15		33		35	17	38,092											
DC 230 H-20	20		33		35	17	38,092											
DC 230 J-10	10			50	35	17	38,092											
DC 230 J-15	15			50	35	17	38,092											
DC 230 J-20	20			50	35	17	38,092											
DC 167A								16	90	10	5						71,425	DC 5476A DC 5476A (4c)
DC 167B								16				90					71,425	
DC 167C								16					110	95	8 x 9		71,425	
DC 167G-25	25	16					54,765											
DC 167G-30	30	16					54,765											
DC 167G-35	35	16					54,765											
DC 167H-25	25		35		50	19	54,765											
DC 167H-30	30		35		50	19	54,765											
DC 167H-35	35		35		50	19	54,765											
DC 167J-25	25			54	50	19	54,765											
DC 167J-30	30			54	50	19	54,765											
DC 167J-35	35			54	50	19	54,765											
DC 168A								21	110	14	5,5						88,877	DC 7221 (5c) DC 7221B DC 7221B (5c)
DC 168B								21				110					88,877	
DC 168C								21					140	120	8 x 11		88,877	
DC 168G-40	40	21					72,217											
DC 168G-45	45	21					72,217											
DC 168G-50	50	21					72,217											
DC 168H-40	40		42		65	21	72,217											
DC 168H-45	45		42		65	21	72,217											
DC 168H-50	50		42		65	21	72,217											
DC 168J-40	40			63	65	21	72,217											
DC 168J-45	45			63	65	21	72,217											
DC 168J-50	50			63	65	21	72,217											
DC 235A								16	150	20	7,5						119,891	DC 10323A (5c)
DC 235B								16				150					119,891	
DC 235C								16					190	170	8 x 11		119,891	
DC 235G-55	55	16					103,231											
DC 235G-60	60	16					103,231											
DC 235G-75	75	16					103,231											
DC 235H-55	55		43		100	27	103,231											
DC 235H-60	60		43		100	27	103,231											
DC 235H-75	75		43		100	27	103,231											
DC 235J-55	55			70	100	27	103,231											
DC 235J-60	60			70	100	27	103,231											